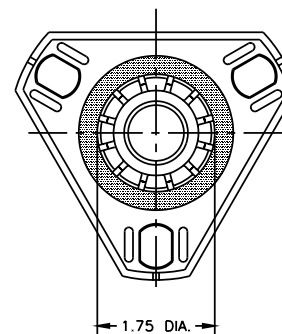
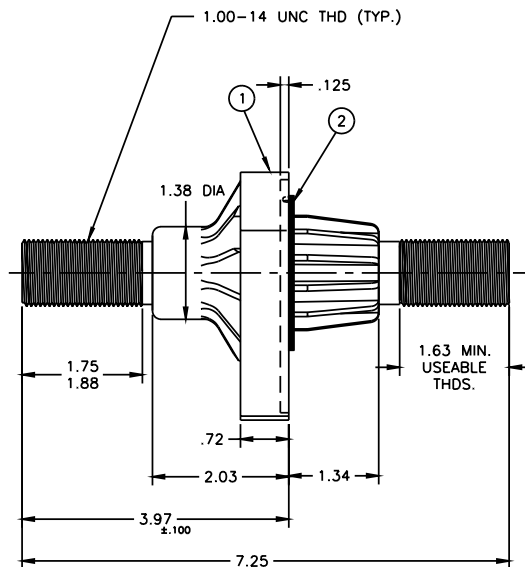
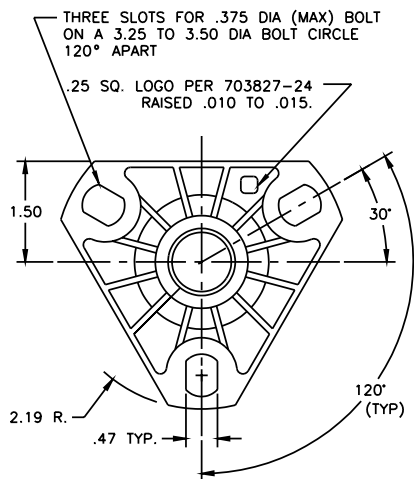


PROPRIETARY INFORMATION
 THE INFORMATION CONTAINED ON THIS DRAWING IS CONSIDERED PROPRIETARY AND MAY NOT, IN WHOLE OR IN PART, BE REPRODUCED OR USED FOR THE MANUFACTURE OF THE PART DISCLOSED HERE-IN WITHOUT THE WRITTEN PERMISSION OF CENTRAL MOLONEY, INC.

701333-52



MATERIAL: 30% GLASS FILLED ENGINEERING THERMOPLASTIC

ELECTRICAL RATINGS		
IMPULSE (KV BIL)	AC HI-POT (KV)	CONTINUOUS CURRENT (AMPS)
30	10	1500

NOTE: RATINGS BASED ON OIL IMMERSED INTERNAL SHANK AND SUITABLE LEAD CONNECTIONS

NOTE: ALL DIMENSIONS ARE IN INCHES

2	GASKET (BUNA "N")	321618-61	1	EA.	2.00 DIA. WDG 2.00	1.51 DIA. WDG 1.37			DATE	8/15/00	SCALE	FULL	Central Moloney, Inc. Components Operation 5500 Jefferson Parkway-Phone (870) 247-5320-Pine Bluff, Arkansas 71602
1	BUSHING	701333-51	1	EA.	.72 DIA. WDG .68	.125 DIA. WDG .095	1387	12/11/00	DATE	8/15/00	TOLERANCE UNLESS OTHERWISE SPECIFIED	.XX±.100 .XX±.050 .XXX±.010	
ITEM	DESCRIPTION	RM-PP-CC NO.	QTY	U/M	NO.	REVISION	CDN NO.	DATE				NO.	REV.